

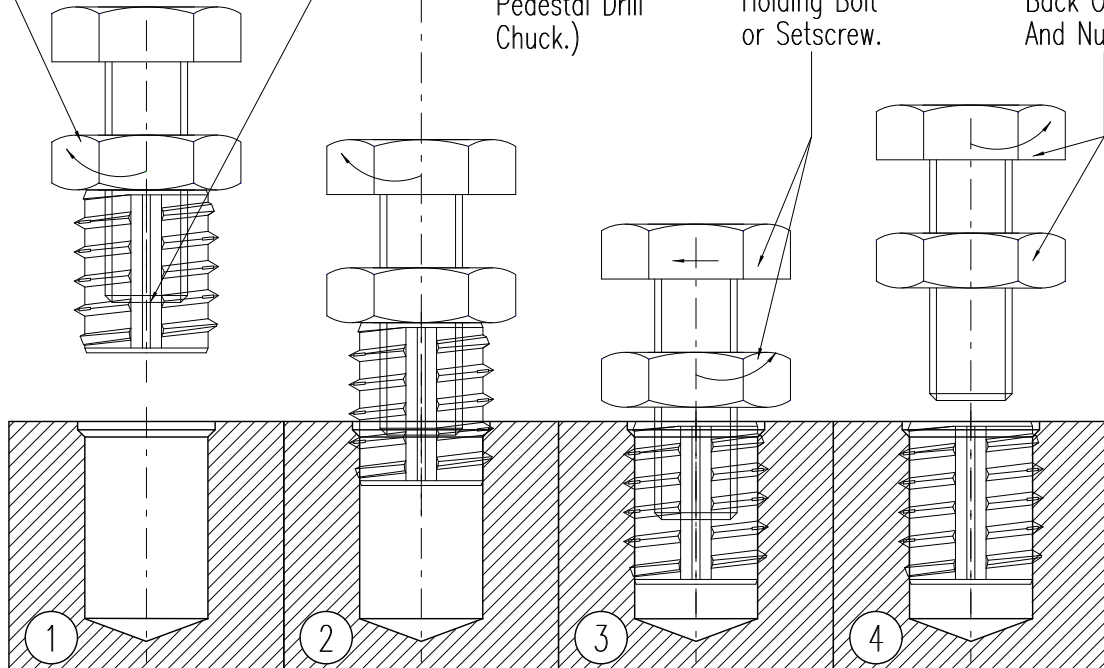
Tighten Nut  
Against Insert.

Thread Of Bolt  
Should Not  
Extend Beyond  
End Of Insert for  
Triserts & Foamserts,  
or Beyond Start of  
the Slot or Holes  
for Ensats.

Alignment Is  
Important  
Whilst Driving.  
(A Setscrew can  
be Aligned using  
a Hand Rotated  
Pedestal Drill  
Chuck.)

Break Nut  
Loose Whilst  
Holding Bolt  
or Setscrew.

Back Out Bolt  
And Nut.



The above installation method is only suggested as a temporary expedient. Hand tools, with Alignment Bushes, are available for low volume applications, Production Drivers for medium to high volumes.